



215 EAST ROOSEVELT AVE.
ZEELAND, MI 49464

ODL / WESTERN REFLECTIONS

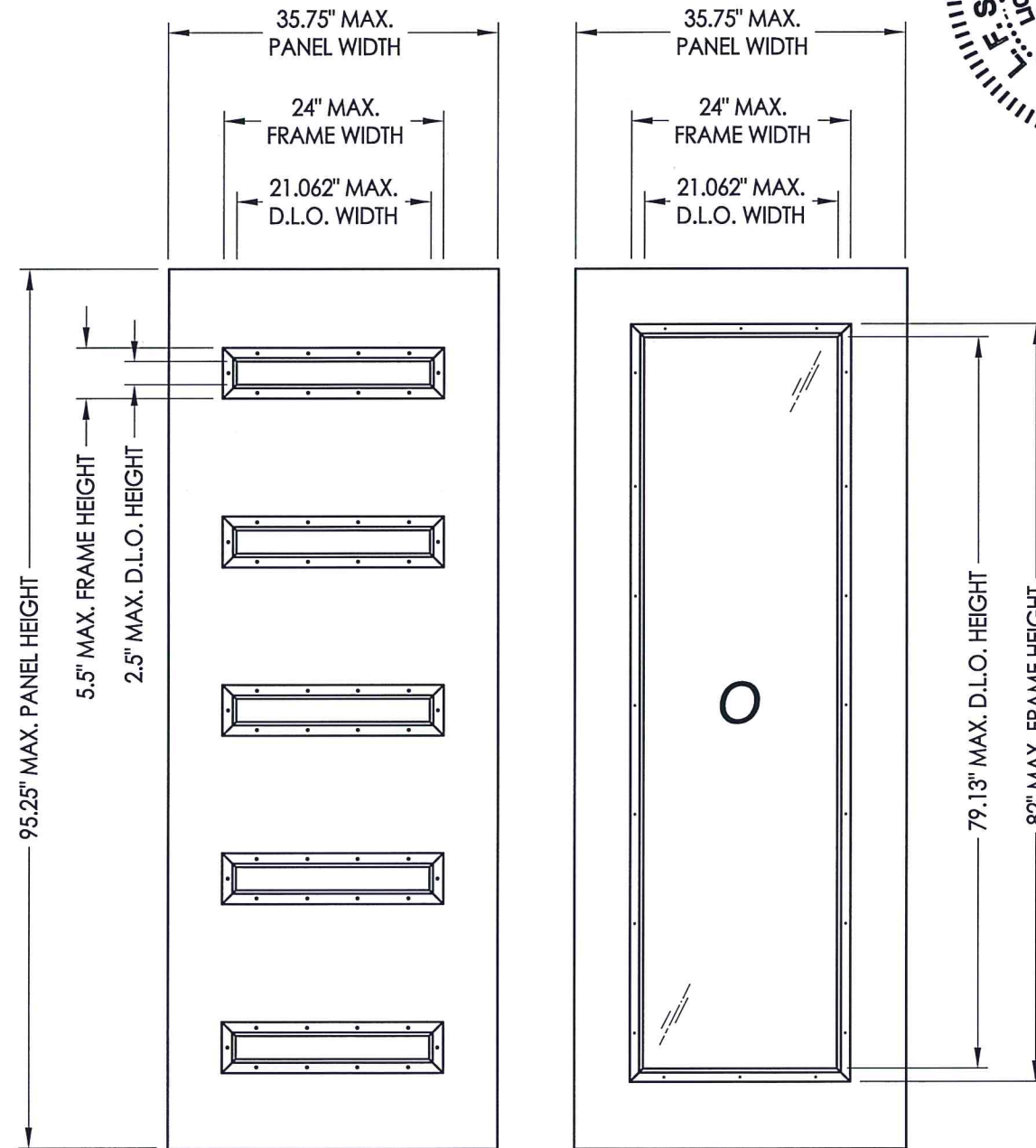
Spotlights Lite Frame Extruded PVC Frame

FOR GLAZING UP TO A 3'0 x 8'0" SINGLE PANEL
"NON-IMPACT"

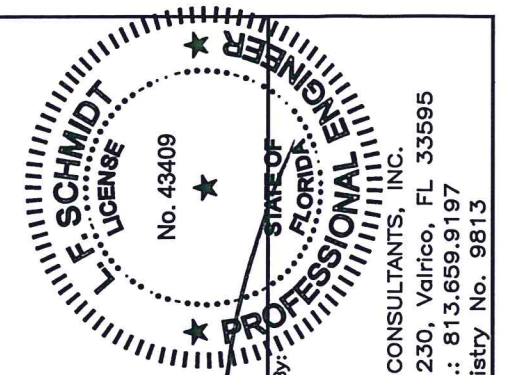
GENERAL NOTES

1. This product has been evaluated and is in compliance with the 7th Edition (2020) Florida Building Code (FBC) structural requirements excluding the High Velocity Hurricane Zone (HVHZ).
2. When used in areas requiring wind borne debris protection this product is required to be protected with an impact resistant covering that complies with FBC Sections 1609.1.2 & R301.2.1.2.
3. This product is approved for use as a substitute doorglass assembly in conjunction with a glazed fiberglass sidelite possessing a comparable current Florida Statewide product approval.
4. The design pressure (DP) rating shall be the lesser of the DP rating shown on sheet 1 of this approval or the DP rating shown in the glazed fiberglass sidelite approval being used.
5. The sidelite panel and lite opening size shall not exceed the sizes shown in this approval or the glazed fiberglass sidelite approval being used.
6. This product is approved for use in the sidelite panels as specified on sheet 3 of this approval. Substitution into a similar product may be approved for use by the local Authority Having Jurisdiction. In all cases, the glazed fiberglass sidelite used must possess a comparable current Florida Statewide product approval.

TABLE OF CONTENTS	
SHEET#	DESCRIPTION
1	Typical elevations, design pressures and general notes
2	Frame & glazing details & bill of materials
3	Fiberglass door panel



DESIGN PRESSURE RATING (PSF)		
DOOR TYPE	POSITIVE	NEGATIVE
8'-0" Fiberglass	+60.0	-60.0

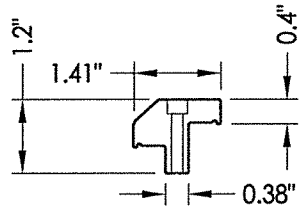


August 07, 2020
Documents Prepared By:
Lyndon F. Schmidt
P.E. No. 43409

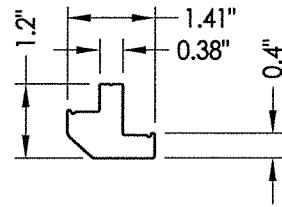
R.W. BUILDING CONSULTANTS, INC.
P.O. Box 230, Valrico, FL 33595
Phone No.: 813.659.9197
FBPE Registry No. 9813

PRODUCT:	ODL LITE FRAME		
PART OR ASSEMBLY:	DAC	JK	BY
TYPICAL ELEVATIONS, DESIGN PRESSURES & GENERAL NOTES	UPDATE TO 7TH ED. (2020) FBC	UPDATE TO 6TH ED. (2017) FBC	REVISIONS
NO.	DATE		
2	8/05/20		
1	9/26/17		
DATE: 8/12/15			
SCALE: N.T.S.			
DWG. BY: JK			
CHK. BY: LFS			
DRAWING NO.: FL-15260.16			
SHEET 1 OF 3			

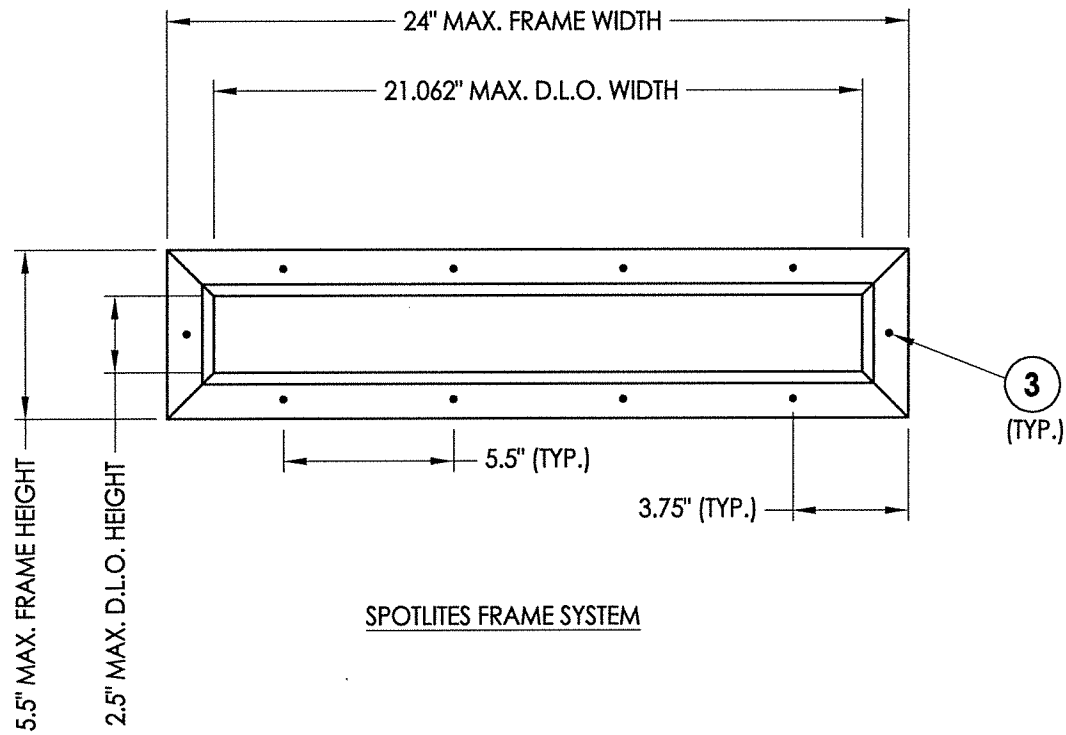
BILL OF MATERIALS		
ITEM #	DESCRIPTION	MATERIAL
1	INTERIOR FRAME	PVC
2	EXTERIOR FRAME	PVC
3	#8 X 1-1/2" PPH SMS (HI-LO THREAD)	STEEL



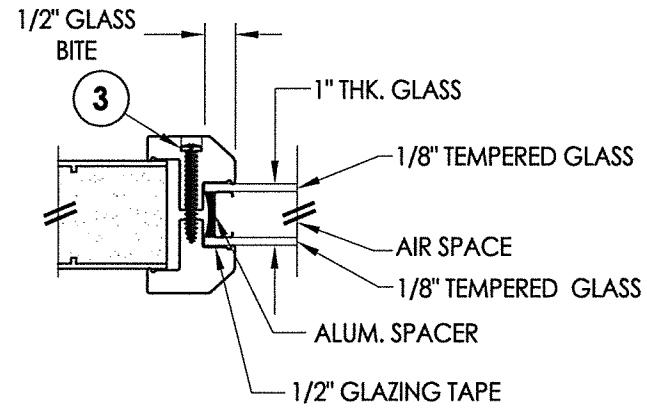
1 INTERIOR FRAME
Cellular PVC



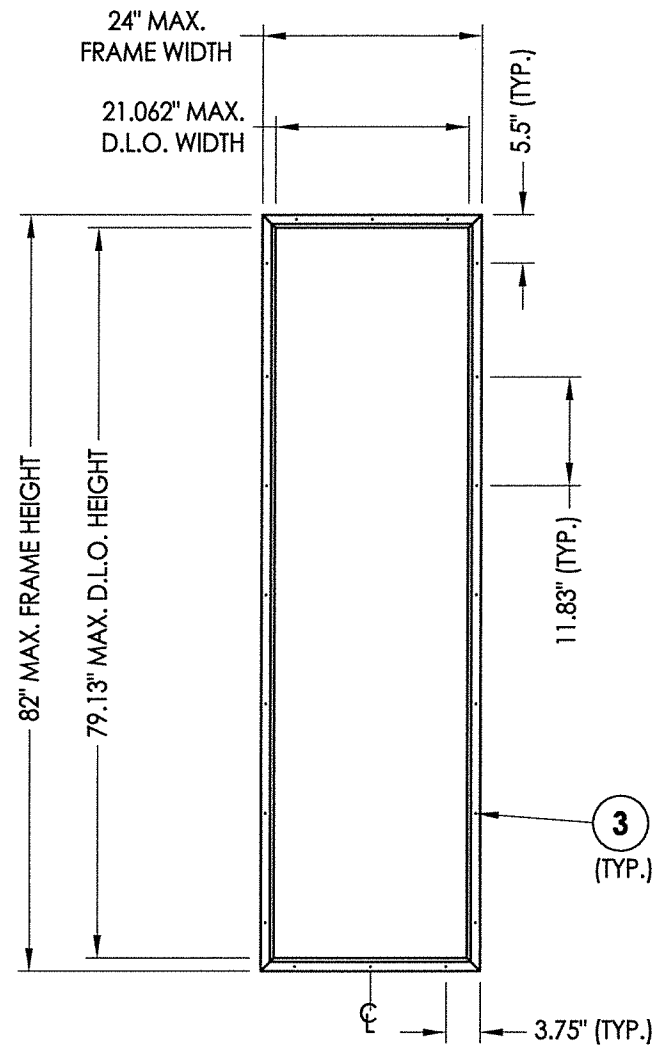
2 EXTERIOR FRAME
Cellular PVC



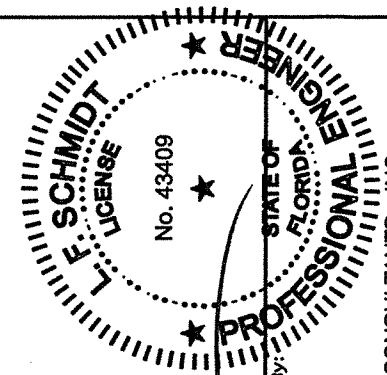
SPOTLITES FRAME SYSTEM



G1 GLAZING DETAIL



SPOTLITES FRAME SYSTEM
Full Lite



LFS

August 07, 2020

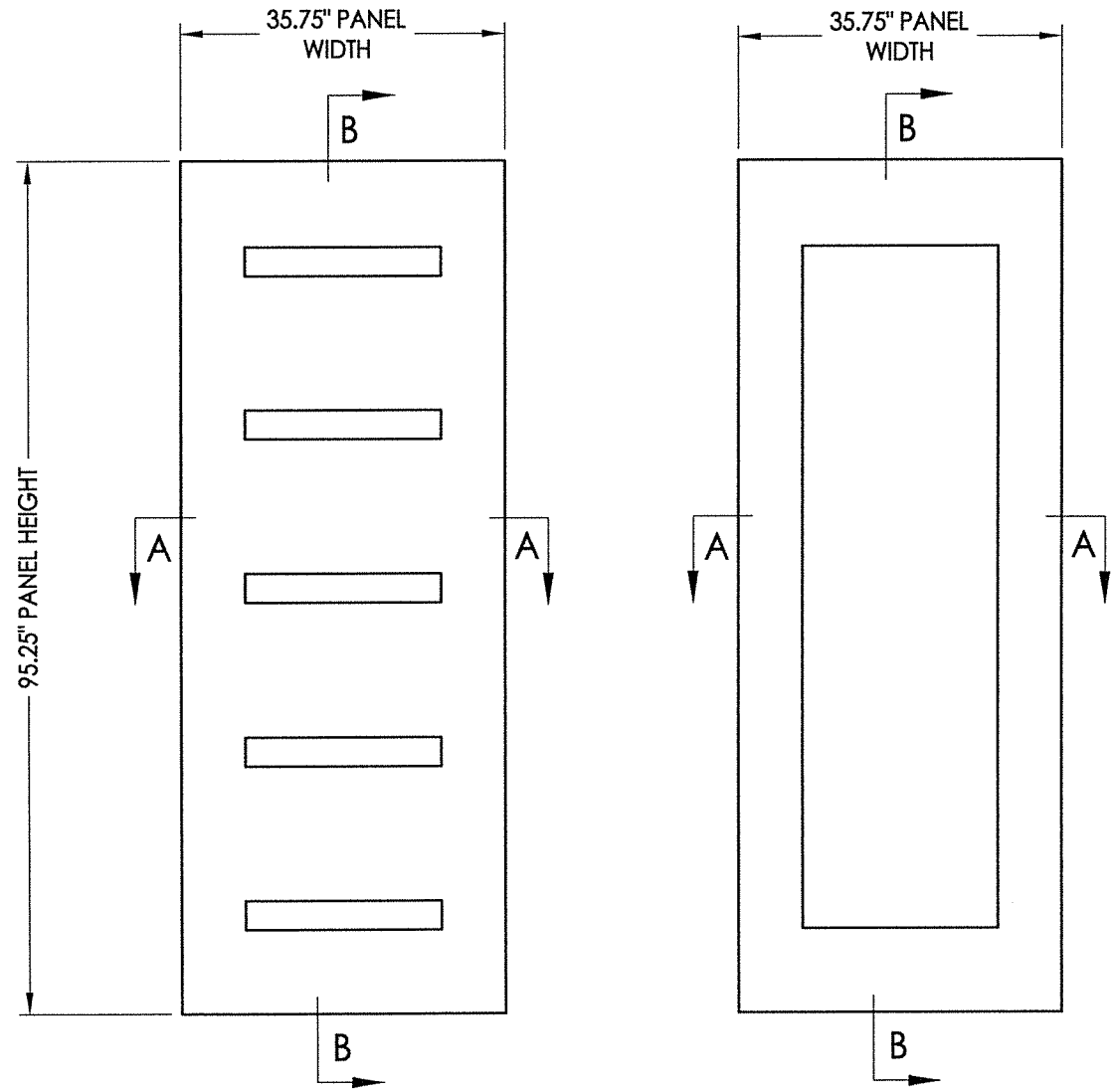
Documents Prepared By:
Lyndon F. Schmidt
P.E. No. 43409

RW
BUILDING CONSULTANTS, INC.
P.O. Box 230, Vairico, FL 33595
Phone No.: 813.659.9197
FBPE Registry No. 9813

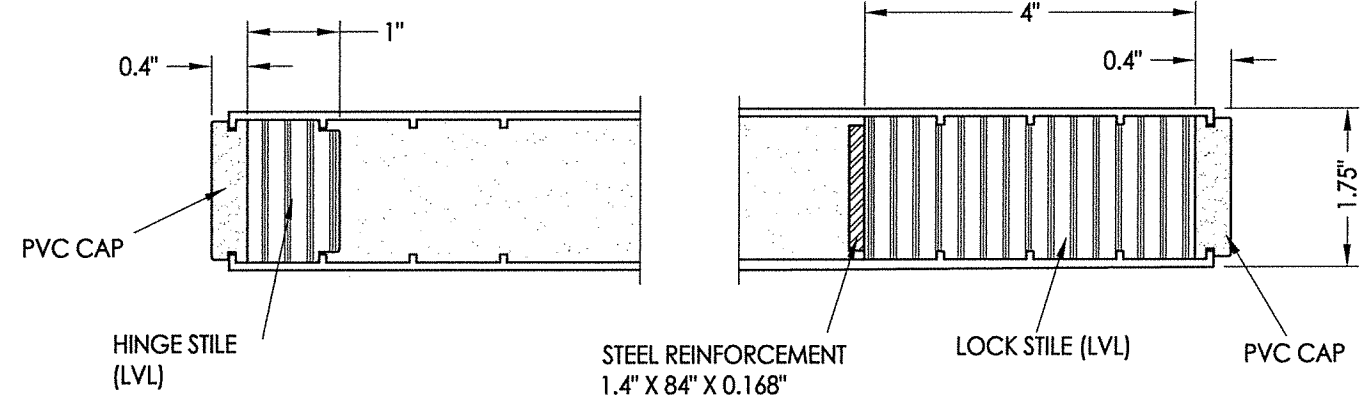
PRODUCT: ODL LITE FRAME
PART OR ASSEMBLY: FRAME & GLAZING DETAILS & BILL OF MATERIALS

NO.	DATE	REVISIONS		
		BY	JK	DAC
2	8/05/20	UPDATE TO 7TH ED. (2020)	FBC	DAC
1	9/26/17	UPDATE TO 6TH ED. (2017)	FBC	JK

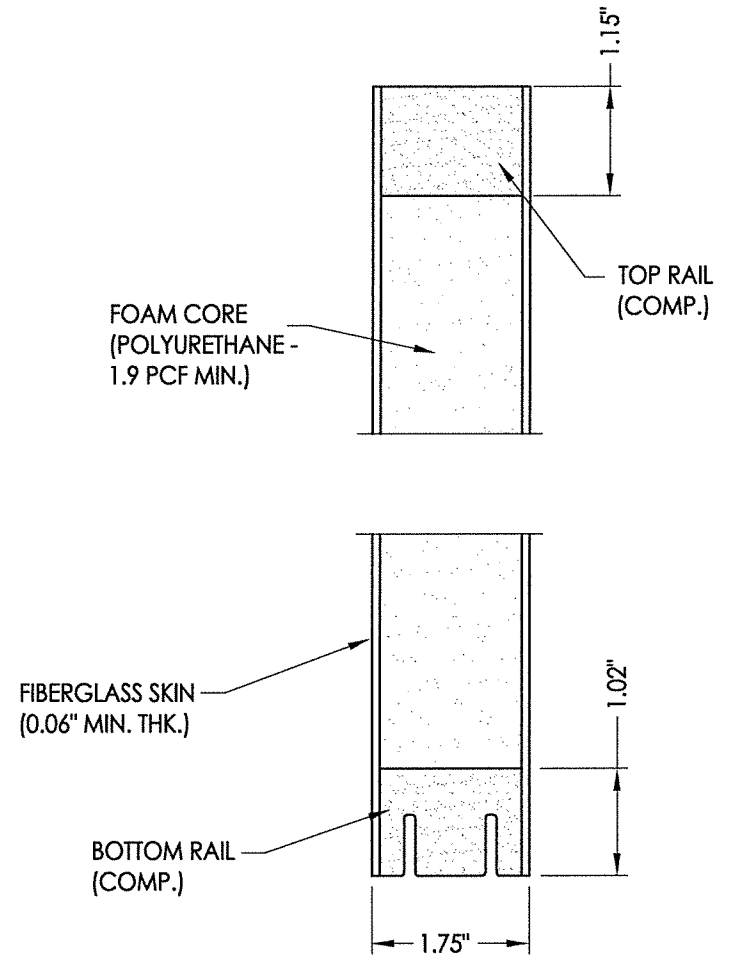
DATE: 8/12/15
SCALE: N.T.S.
DWG. BY: JK
CHK. BY: LFS
DRAWING NO.: FL-15260.16
SHEET 2 OF 3



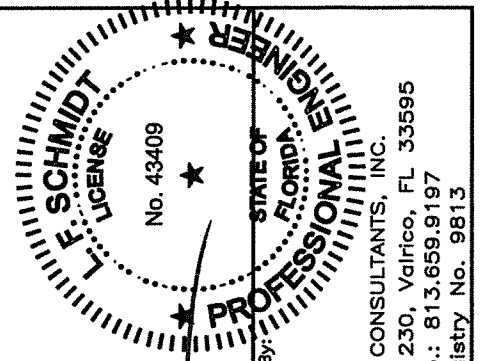
FIBERGLASS DOOR PANELS
Plastpro 8'-0"



SECTION A-A



SECTION B-B



LFS

August 07, 2020
Documents Prepared By:
Lyndon F. Schmidt
P.E. No. 43409

RW
BUILDING CONSULTANTS, INC.
P.O. Box 230, Valrico, FL 33595
Phone No.: 813.659.9197
FBPE Registry No. 9813

PRODUCT: ODL LITE FRAME		PART OR ASSEMBLY: FIBERGLASS DOOR PANEL	
2	8/05/20	UPDATE TO 7TH ED. (2020)	FBC DAC
1	9/26/17	UPDATE TO 6TH ED. (2017)	FBC JK
NO.	DATE	REVISIONS	
DATE: 8/12/15			
SCALE: N.T.S.			
DWG. BY: JK			
CHK. BY: LFS			
DRAWING NO.: FL-15260.16			
SHEET 3 OF 3			